

SRVODRV-8020 -REV7 INSTALLATION NOTES

Thank you for purchasing the SRVODRV -8020 drive. The SRVODRV -8020 DC servo drive is warranted to be free of manufacturing defects for 1 year from the date of purchase.

PLEASE READ FIRST BEFORE USING THE SRVODRV -8020

If you are not familiar with DC servo drives please do the following setup instructions with the motor on the bench before mounting it on the mechanism it will eventually run. This will allow you to get a baseline motor behavior of what to expect.

Before you start, you must have a suitable encoder mounted and properly aligned on the motor. Follow the manufacturer's instructions on mounting and aligning the encoder if the motor doesn't already come with one.

Next you must have a DC power supply suitable for the motor. Do not use a power supply voltage more than 5 volts in excess of the motors rated voltage. The power supply current rating must equal the maximum current you expect to run the motor at.

Finally have a STEP and DIRECTION pulse source available.

Before going on, turn the current LIMIT trim potentiometer a quarter to half of full scale. Turn the GAIN trim potentiometer fully off and turn the DAMPING trim potentiometer to a quarter of full scale. The trim potentiometers are single-turn, do not over-torque them with a screwdriver.

SRVODRV -8020 TERMINAL WIRING

IMPORTANT: When first testing the SRVODRV -8020 , connect ERR/RES (term. 5) to ENC+ (term. 7). Please follow the next steps in the sequence they are given

ENCODER HOOK-UP

The encoder must be a digital quadrature TTL output type that operates on a single +5VDC power supply. The power supply current rating must be less than 50 mA. It should be at least a 200 line encoder. If the encoder supply current is more than 50 mA, use an external +5VDC supply. **IMPORTANT: Connect a 470 ohm resistor from TERM. 6 to TERM. 7 if an external power supply is used for the encoder.**

(TERM. 6) ENC- Connect the encoder power supply ground to this terminal.

(TERM. 7) ENC+ Connect the encoder +5VDC to this terminal

(TERM. 8) PHASE A Connect the encoder phase "A" to this terminal

(TERM. 9) PHASE B Connect the encoder phase "B" to this terminal

POWER SUPPLY HOOK-UP

Keep the power supply leads short and use the largest wire gauge that will fit in the terminals. If the lead length is more than 18" use a 1000 uF capacitor across the SRVODRV -8020 power supply terminals. Make sure your power supply can provide the peak current the motor may draw. The power supply voltage must be between 18 VDC and 80 VDC. The actual voltage should not be more than 5 volts higher than the motor's rated voltage.

(TERM. 1) POWER GROUND Connect the power supply ground to this terminal.

(TERM. 2) +18 TO 80 VDC Connect the power supply "+" to this terminal

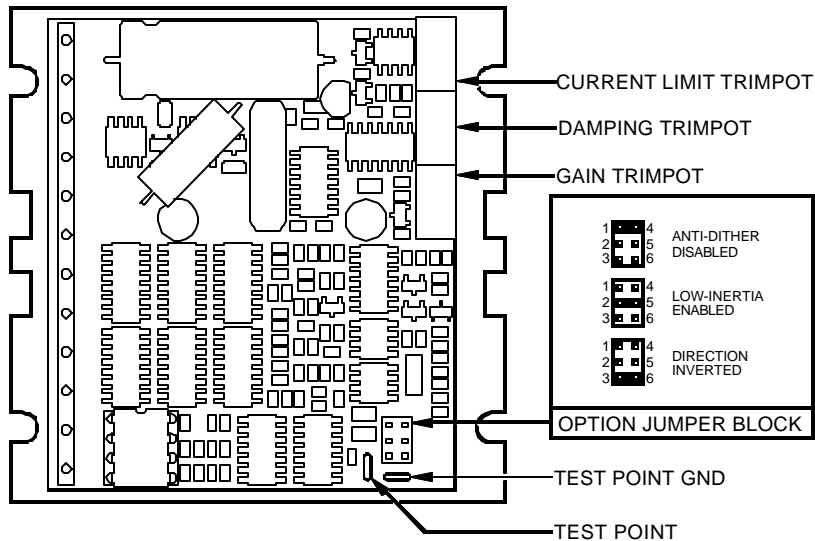
TESTING THE ENCODER

At this point the encoder should be tested for functionality. If you wish to monitor the POSITION ERROR test point with a voltmeter or oscilloscope, then remove the cover of the drive now. If you have a choice, pick the oscilloscope.

The POSITION ERROR test point shows the difference between the command position and the actual motor position. When both are the same, the voltage will be +5VDC. For every count the motor is clockwise of the command position, the voltage will decrease by 0.04 volts. When it drops to 0.4 volts, the protection circuit takes over and resets the drive for 3 seconds. While reset, the FAULT light is on.

For counter-clockwise position errors the voltage will increase by 0.04 volts for every count until it reaches 9.6 volts when again the protection circuit takes over as before.

VOLTMETER MONITORING: Place the red lead on the test point and the black lead on the large blue capacitor lead (GND) furthest from the main connector. Turn on the power supply. The FAULT light should be on for 3 seconds and then turn off. The voltmeter should read +5VDC. Turn the motor shaft clockwise VERY slowly. The voltmeter reading should decrease 0.04 volts for every encoder count. When the reading reaches 0.4 volts, the red light will turn on and the voltage will jump back to +5VDC. After 3 seconds the light will turn off. You may turn the motor shaft counter-clockwise as well. The voltage will increase then by 0.04 volts per count until it reaches 9.6 volts and trips the protection circuit.



OSCILLOSCOPE MONITORING: Set the scope to 2 volts / cm vertical and about 1 millisecond per cm horizontal. Zero the trace to the bottom line on the screen. DC couple the input. Place the probe on the test point and the ground clip to the blue capacitor ground lead. Follow the steps in **VOLTMETER TESTING** above.

CONTROL INPUT HOOK-UP:

The control input group is the standard step motor drive STEP, DIRECTION and +5VDC lines. The STEP and DIRECTION signal drivers must be TTL compatible and have edge transition times of 100 ns or faster. The +5VDC is the opto-isolator common anode line and must be returned to the pulse source +5VDC supply.

- (TERM. 10) DIR** Connect the DIRECTION line to this terminal.
- (TERM. 11) STEP** Connect the STEP line to this terminal.
- (TERM. 12) +5VDC** Connect this terminal to the controller +5VDC power supply

TESTING THE CONTROL INPUTS

You may wish to test the functionality of these inputs. If you used an oscilloscope in the previous section, leave it connected to the test point. If you used a voltmeter, then remove it from the drive.

Set the STEP pulse generator to about 40 pulses per second and set the DIRECTION output to clockwise (logical "1"). Turn on the power supply. After the power-on reset period of 5 seconds the FAULT light will turn off.

If you are using an oscilloscope, then the test point voltage will begin to increase until 3 seconds later it trips the protection circuit at 9.6 volts. The FAULT light will turn on for 5 seconds and voltage will snap back to +5VDC. After the FAULT turns off, the sequence will repeat again.

If you are not using an oscilloscope, just see if the FAULT light turns on and off every three seconds.

MOTOR HOOK-UP:

Make sure the power is off and the STEP pulse source is set to zero pulses per second. Check to see if the trim potentiometer settings are set according to the instructions on page 2. You may wish to secure the motor so it can't jump off the bench.

- (TERM. 3) ARM** - Connect the RED motor lead to this terminal.
- (TERM. 4) ARM+** Connect the BLACK motor lead to this terminal.

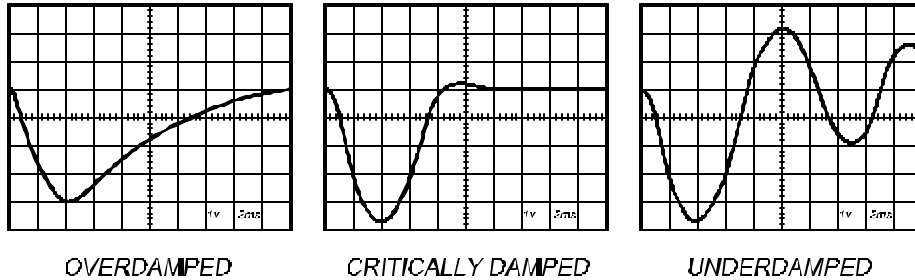
TUNING THE SERVO:

Turn on the power supply. The FAULT light should turn off after 3 seconds. If everything is correct you should hear the motor "singing". This normal. The motor is dithering or bouncing between adjacent encoder counts. The integral term in a PID loop has infinite DC gain over time and will amplify even the smallest position error. Because encoder feedback can only occur on count edges, the loop is "blind" until it encounters an encoder count edge. It then reverses the motor direction until another edge is found, then the process repeats.

If the motor jumps slightly and the FAULT light immediately turns back on, then either the motor is wired backwards or the trim potentiometers are misadjusted. Check the trim potentiometer settings. If they seem right then switch the motor leads and try again. If it still doesn't work and you followed all the previous steps, call me at the number at the end of this document.

Now turn on your STEP pulse source and ramp the speed up to see if the motor turns. It should turn clockwise with a logical "1" on the DIRECTION input.

The optimum way to tune the servo is to induce an impulse load on the motor while watching an oscilloscope to see how the motor behaves in response, then adjusting the PID coefficients for optimal behavior.



In all cases the motor must return to the command position, what matters is how it does it. The manner in which the motor returns to its command position is called damping. At one extreme called overdamped response, the motor returns to position after a long, drawn out delay. At the other extreme called underdamped response, the motor returns to its position too rapidly, overshoots, returns and undershoots and so on until it finally settles at its command position. This is also caused ringing; when extreme, the over/undershoot builds in amplitude until the motor enters violent oscillation. Between the two extremes is the optimal response called critical damping. Here the motor rapidly returns to its position with little or no overshoot in the minimal amount of time.

POSITION ERROR TEST POINT NOTE:

Don't confuse the POSITION ERROR with the motor or machine position. The signal is actually the differential position error between the command speed and the motor speed. As noted above, sending clockwise STEP pulses moves the POSITION ERROR voltage more positive while turning the motor clockwise moves the POSITION ERROR voltage more negative.

When the motor encoder counts match the number of STEP pulses being sent one for one, the POSITION ERROR voltage stays at +5VDC. If the motor gets ahead of the STEP pulses such as during very rapid deceleration, the voltage will decrease by 0.04 volts for every encoder count the motor is ahead of the STEP pulses sent. The PID algorithm will force the motor to match the STEP input over time and restore the POSITION ERROR voltage back to +5 VDC.

GAIN AND DAMPING:

GAIN and DAMPING settings generally track each other. If you increase GAIN (greater stiffness), then increased DAMPING is needed as well to restore critical damping. Be careful, increasing GAIN without increasing DAMPING may cause the motor to break out into violent oscillation.

The higher GAIN is set, the noisier the motor will be when stopped. This is because higher gain causes more vigorous dithering between encoder counts at rest. There is a trade-off between high gain (high stiffness) one hand and excessive dithering (noise and motor heating) on the other. Use judgment here.

To see how your servo is compensated it is first necessary to induce a disturbance. The easiest way is to switch the DIRECTION input while commanding a constant speed via the STEP input. The abrupt direction change puts just the momentary load needed on the motor while you watch how it responds.

If you are using an oscilloscope, use channel 1 on the test point and channel 2 on the DIRECTION input. Set the trigger to "normal", trigger source to channel 2 and trigger edge to "+". You should see a single sweep for every clockwise change in direction.

Slowly increase STEP speed until you get a picture similar to one of the three above, and then do the following:

- 1) OVERDAMPED: Decrease DAMPING or increase GAIN
- 2) CRITICALLY DAMPED: Do nothing; you're there
- 3) UNDERDAMPED: Decrease GAIN or increase DAMPING

CURRENT LIMIT:

The current LIMIT trim potentiometer sets maximum current the motor is permitted to have. It is adjustable from 0 amps to 20 amps. Normally the LIMIT trim potentiometer is set to maximum (20 amps) unless you want to limit motor torque to a lower value.

Motor speed and position is unaffected by the current LIMIT setting unless the torque demand due to load exceeds this setting, then the motor position will fall behind the command position because of insufficient torque.

FAULT INDICATOR:

The FAULT indicator is on while the drive is in power-on reset, the DISABLE input is held "low" or if the protection circuit is tripped due to a fault condition. All power MOSFETs are turned off and all internal counters are reset. The FAULT condition lasts for 3 seconds, and then self-resets to try again. If the protection circuit tripped it and the cause is not cleared, then it will immediately re-enter the FAULT state again and repeat the cycle.

There are two conditions that will trip the protection circuit. One condition is if a short-circuit occurs and current exceeds 20 amps.

The other condition is if the POSITION ERROR exceeds +/- 128 counts causing a break of the servo-lock. This condition can have several causes:

- 1) The loop settings are severely under-damped and the motor breaks out into oscillation.
- 2) Excessive motor load due to acceleration or workload.
- 3) The speed command in excess of what the motor can deliver.
- 4) The current LIMIT is set too low.
- 5) The power supply current is insufficient for the demand.
- 6) The motor is wired backwards, is broken or disconnected.
- 7) Encoder failure.

REVERSING DEFAULT MOTOR DIRECTION:

The SRVODRV -8020 will turn the motor in the CW direction when the DIRECTION input is "high" (logical "1", or +5VDC). If instead CCW is preferred, then:

- 1) Reverse the motor "+" and "-" leads (term. 3 with term. 4)
- 2) Reverse the encoder "channel A" and "channel B" leads (term. 8 with term. 9)

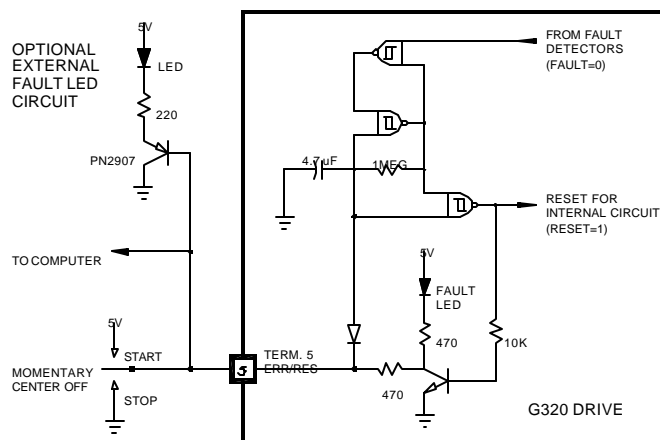
(TERM. 5) ERR / RES

This terminal functions as an ERROR output and as a RESET input. Because this terminal functions as both an input and an output, some detailed description is necessary.

When first testing the SRVODRV -8020, ERR/RES (term. 5) was connected to ENC+ (term. 7). It can be left that way if it is not necessary to read the state of the ERROR output. Otherwise, the following details are important.

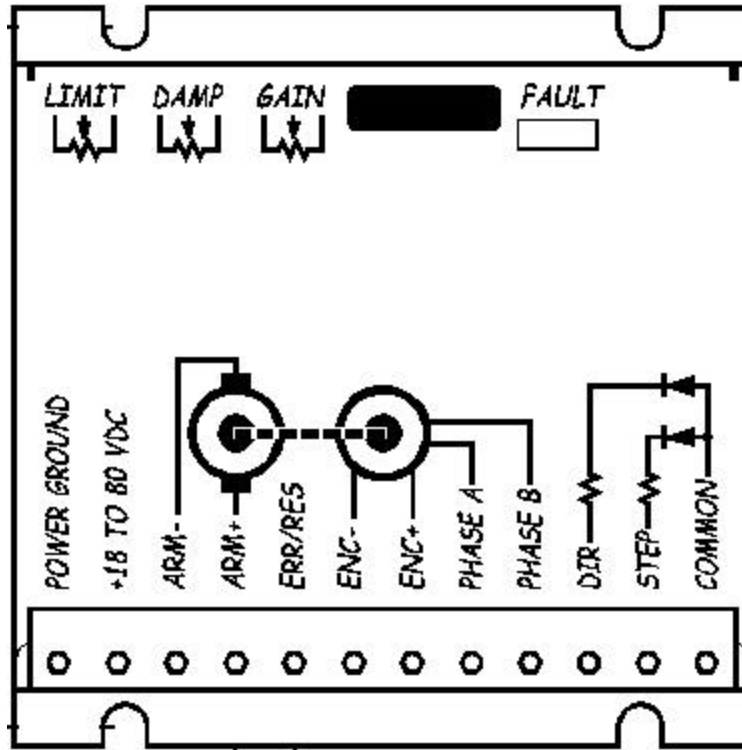
The ERROR output is latched in the "ERROR" state (term. 5 = "0") by the power-on reset circuitry in the SRVODRV -8020. It will stay in this state indefinitely until it is cleared by applying +5V to this terminal for at least 5 seconds.

The voltage on this terminal is +5VDC when the SRVODRV -8020 is functioning normally. The voltage on this terminal goes to 0VDC whenever the FAULT indicator is lit. This output can be used to signal your controller that an error has occurred.



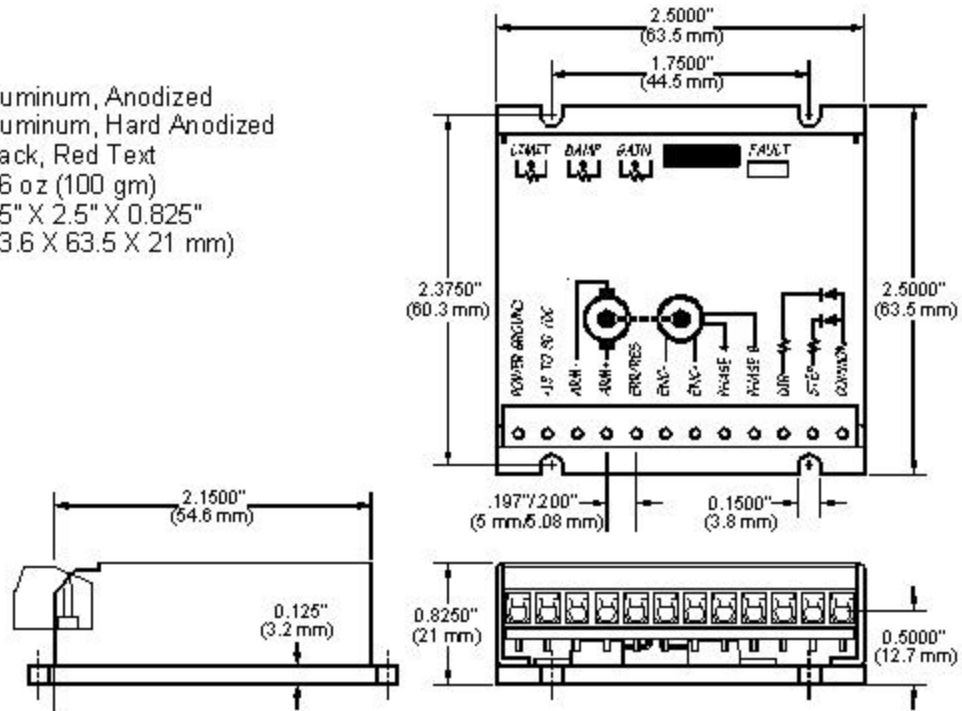
SRVODRV-8020 SPECIFICATIONS:

Power Supply	18 to 80 VDC
Motor Current	0 to 20 Amps
Lock Range	+/- 128 count following error
Feedback	Quadrature TTL Encoder
Feedback Resolution	X4 Encoder Line Count
Switching Frequency	25 kHz
Current Limit	0 to 20 Amp, Trim Potentiometer Adjustable
Analog PID	Damping and Gain Trim Potentiometers
Step Pulse Frequency	0 to 250 kHz
Step Pulse "0" Time	0.5 Microseconds Min.
Step Pulse "1" Time	3.5 Microseconds Min.
Size	2.5" X 2.5" X 0.825"
Weight	3.6 oz
Encoder Supply	+5VDC, 50 mA max



Wiring Diagram and Trim Potentiometer Locations

Cover: Aluminum, Anodized
 Plate: Aluminum, Hard Anodized
 Color: Black, Red Text
 Weight: 3.6 oz (100 gm)
 Size: 2.5" X 2.5" X 0.825"
 (63.6 X 63.5 X 21 mm)



LIMITATION OF LIABILITY

Optimal Engineering Systems, Inc. (OES) hardware and software products are not intended or authorized for use in any manner where human life or safety is at risk. OES' products are not intended for life support equipment.

In no event shall Optimal Engineering Systems, Inc. be liable to any customer for costs or damages, including lost profits, lost savings or other incidental or consequential damages arising out of the use or inability to use such products even if Optimal Engineering Systems, Inc. or an authorized Optimal Engineering Systems, Inc. representative has been advised of the possibility of such damages, or for any claim by any other party. In any event, Optimal Engineering Systems liability arising in any manner in connection with the products, whether based in contract, product liability or tort, shall not exceed the purchase price of the product.

LIMITED ONE-YEAR WARRANTY

Optimal Engineering Systems, Inc. warrants to the original purchaser that this product to be free from defects in material or workmanship for a period of one year from date of purchase. Optimal Engineering Systems, Inc. agrees to repair any such defect or exchange the product with a new or equal replacement. Defective product must be returned to Optimal Engineering Systems, Inc. in the original package, postpaid. This warranty is void for any product that has been modified by the customer in any way. If failure of the Product has resulted from accident, abuse, or miss-application, Optimal Engineering Systems, Inc. shall have no responsibility under this One-Year Warranty.